

SPARE PARTS LIST



Postadress:

TRÄDGÅRDSTEKNIK AB
Helsingborgsvägen 578, Varalöv
262 96 ÄNGELHOLM

Telefon : 0431-222 90
Bg.nr : 5743-7980
Org.nr : 556409-6120

URL:

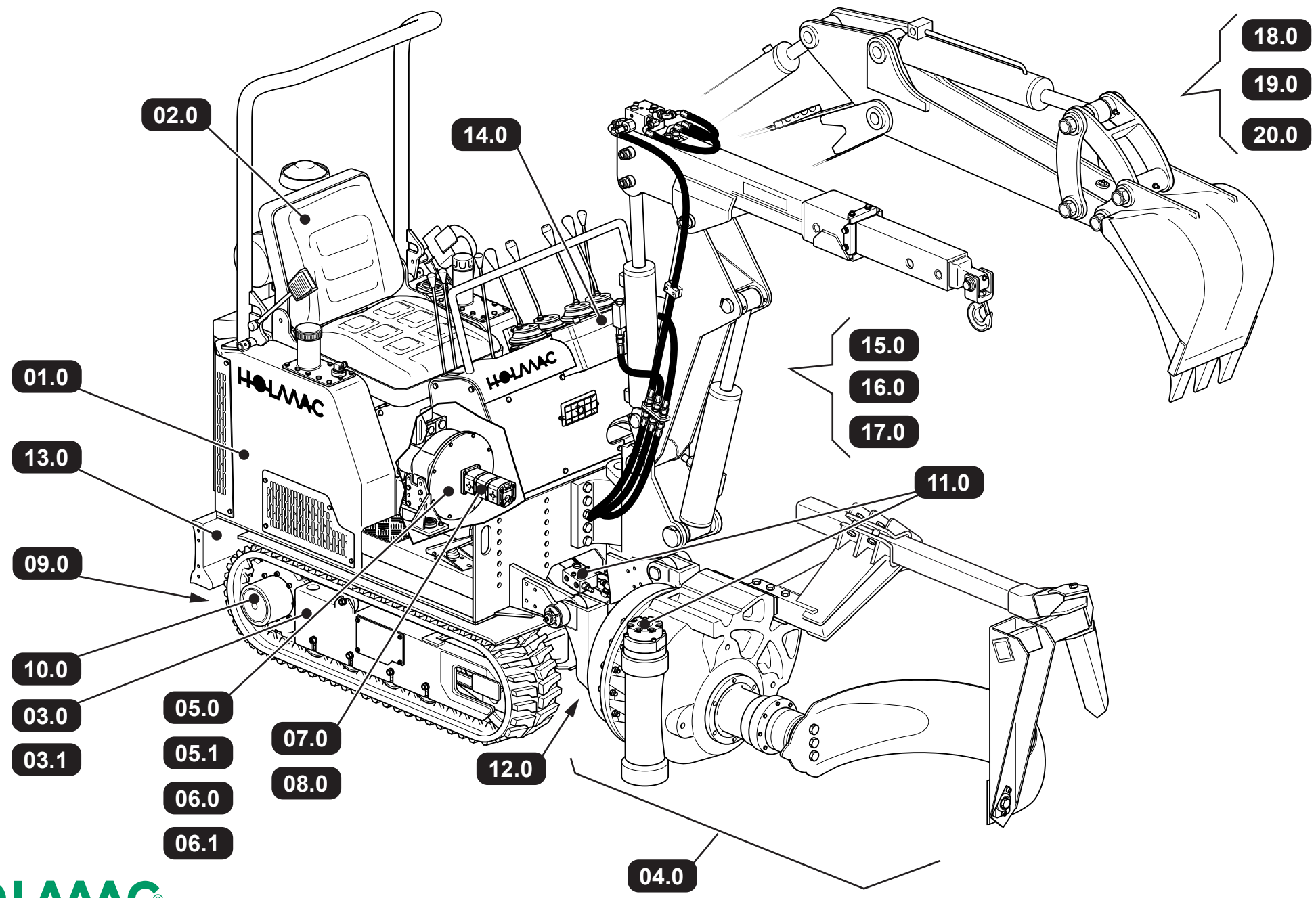
www.tradgardsteknik.se
E-postadress:
info@tradgardsteknik.se

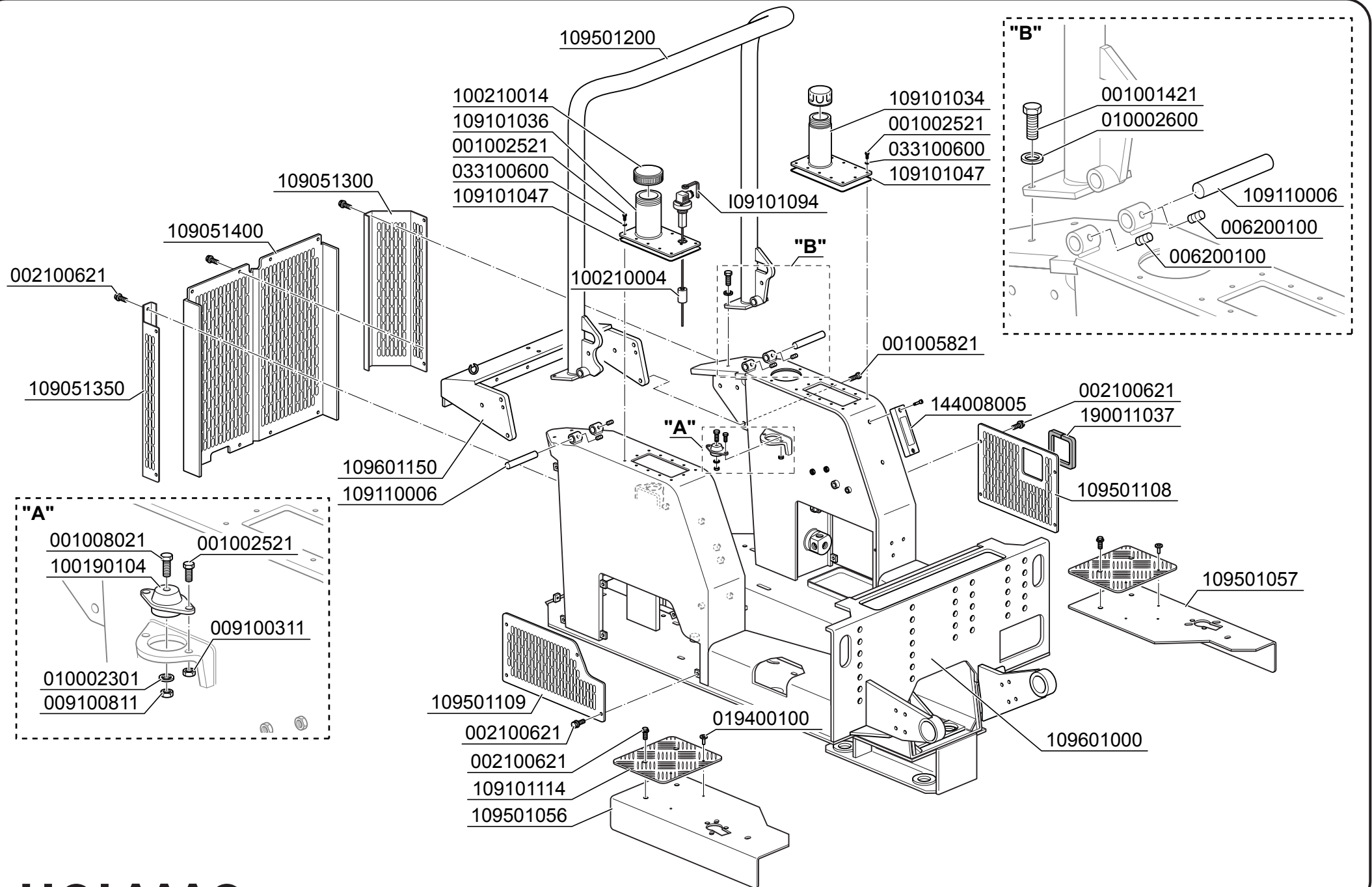
SPARE PARTS LIST

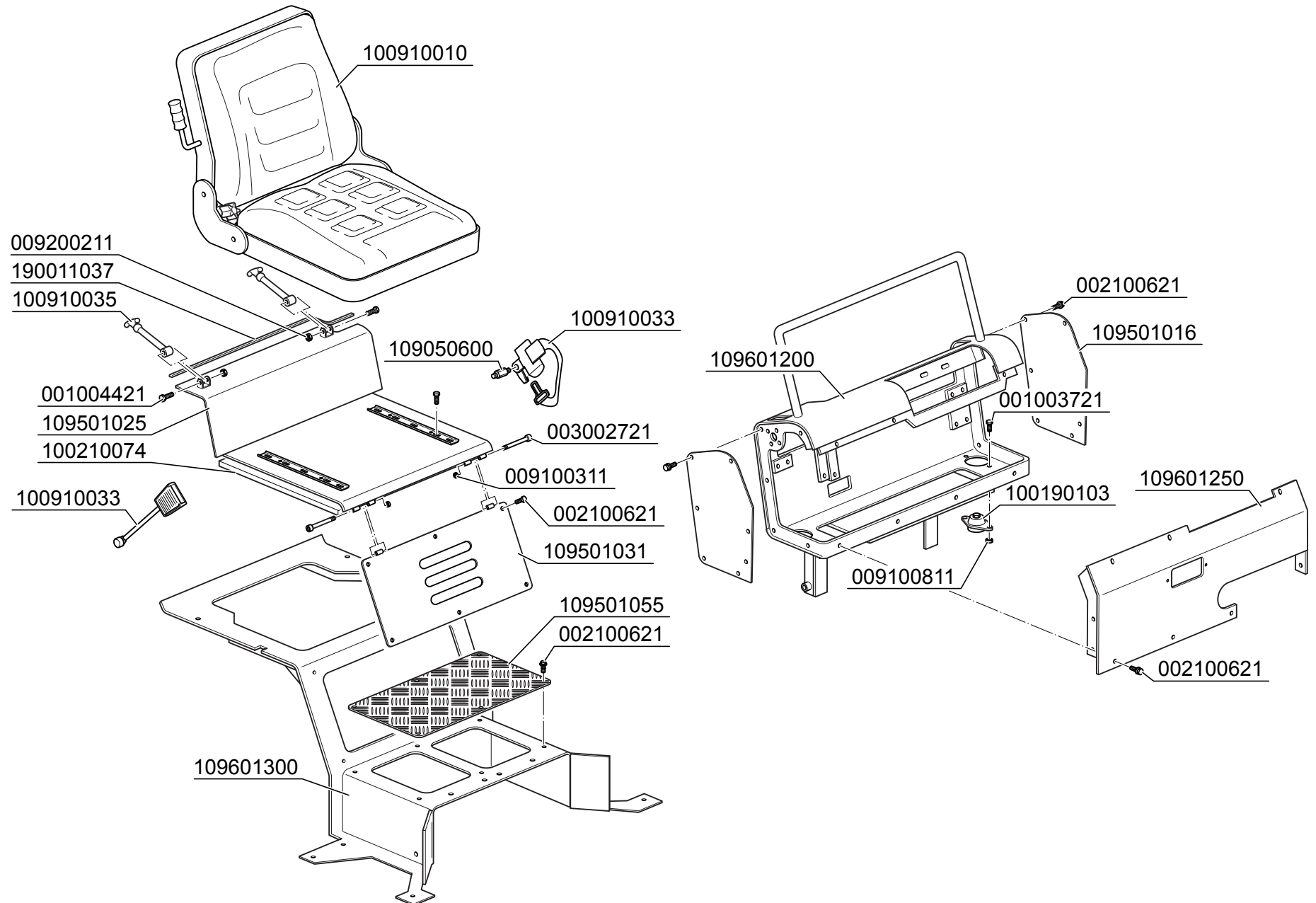
N°	INDEX
01.0	STRUCTURE
02.0	DRIVE CAB
03.0	TOW UNIT
04.0	BLADE-VIBRATOR UNIT
05.0	MOTOR (KUBOTA): ACCESSORIES
05.1	MOTOR (KUBOTA): COOLING
06.0	MOTOR (LOMBARDINI): ACCESSORIES
06.1	MOTOR (LOMBARDINI): COOLING
07.0	PUMP INTAKE AND DELIVERY
08.0	PUMP INTAKE AND DELIVERY
09.0	TRACK OPENING CYLINDERS
10.0	WHEEL MOTOR HYDRAULICS
11.0	BLADE ROTATION MOTOR AND UNIT CYLINDER
12.0	VIBRATION MOTOR
13.0	REAR DOZER BLADE
14.0	ELECTRICAL COMPONENTS

OPTIONAL ACCESSORIES

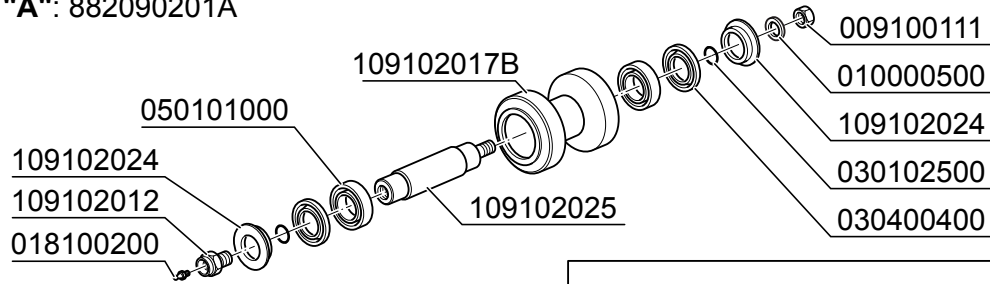
15.0	BOOM STRUCTURE
16.0	FIRST AND SECOND BOOM JACKS
17.0	BOOM ROTATION AND EXTENSION
18.0	DIGGING ARM
19.0	FIRST AND SECOND DIGGING ARM JACKS
20.0	BOOM ROTATION AND DIGGING ARM



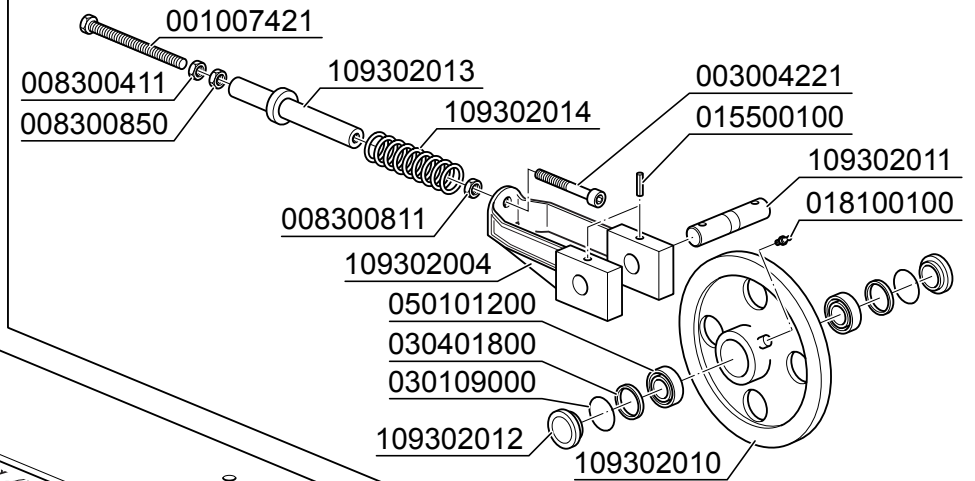




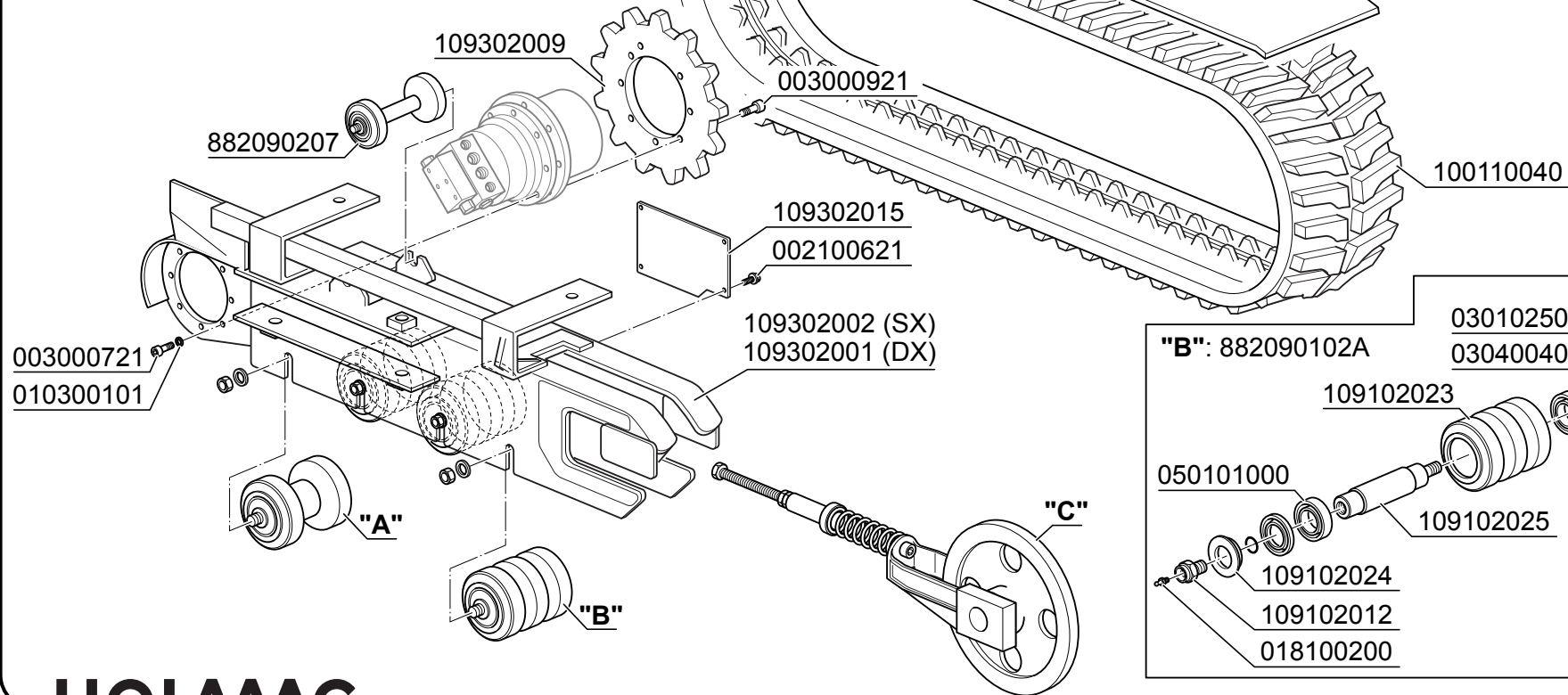
"A": 882090201A



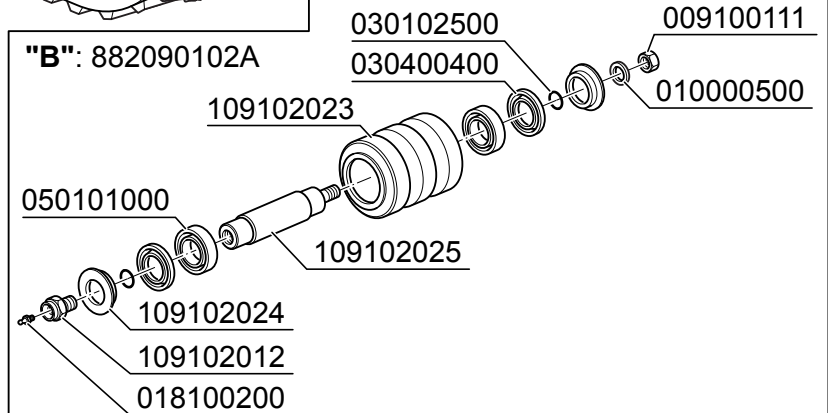
"C": 882090208



109302003 (SX)
109302068 (DX)

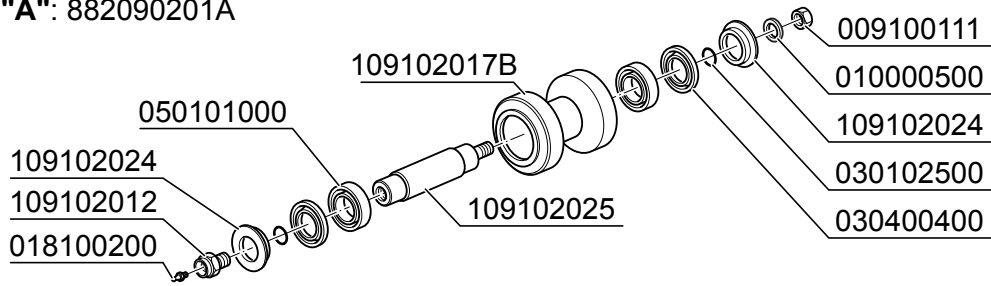


"B": 882090102A

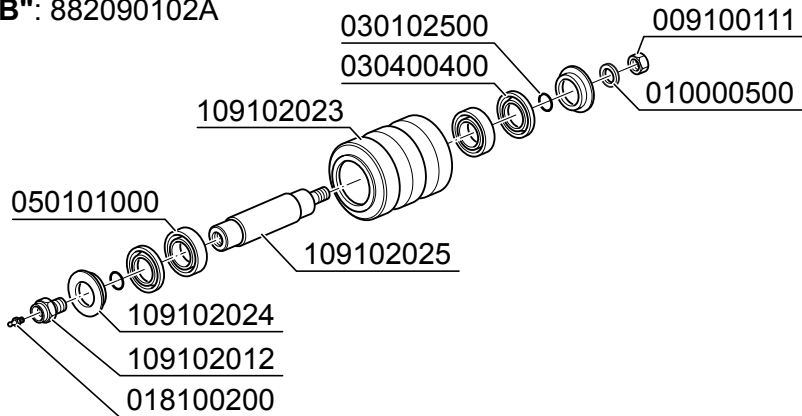


TOW UNIT (PREVIOUS VERSION)

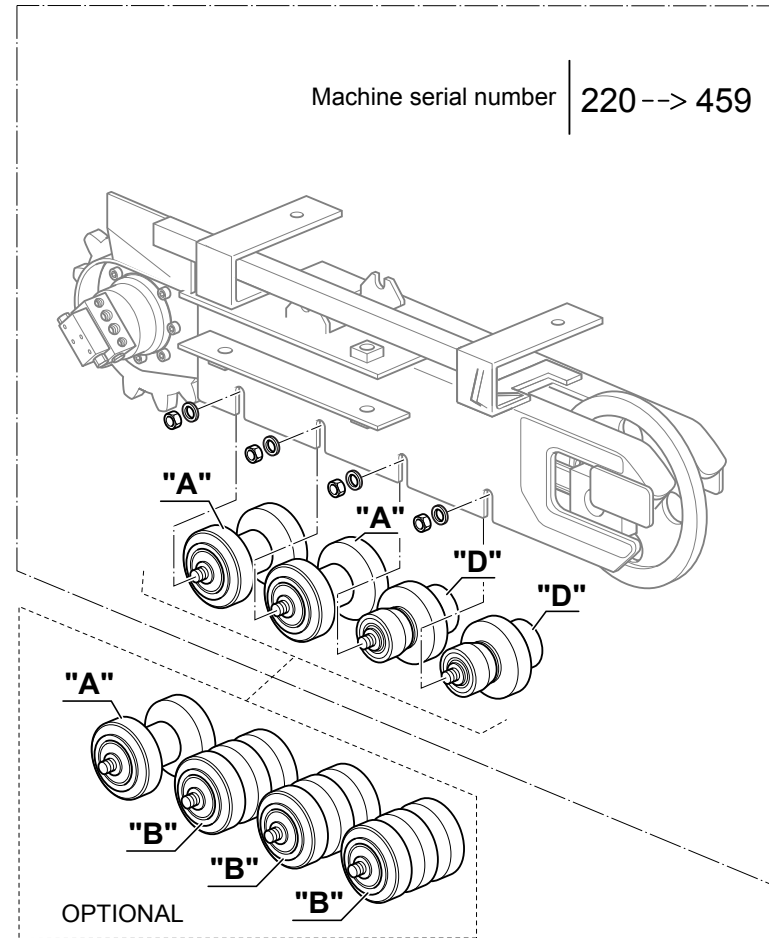
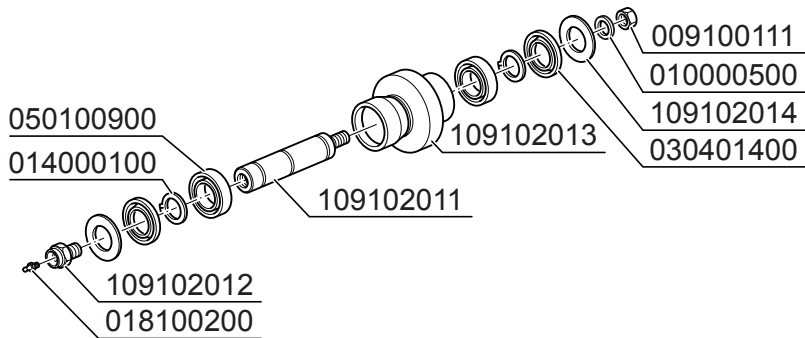
"A": 882090201A



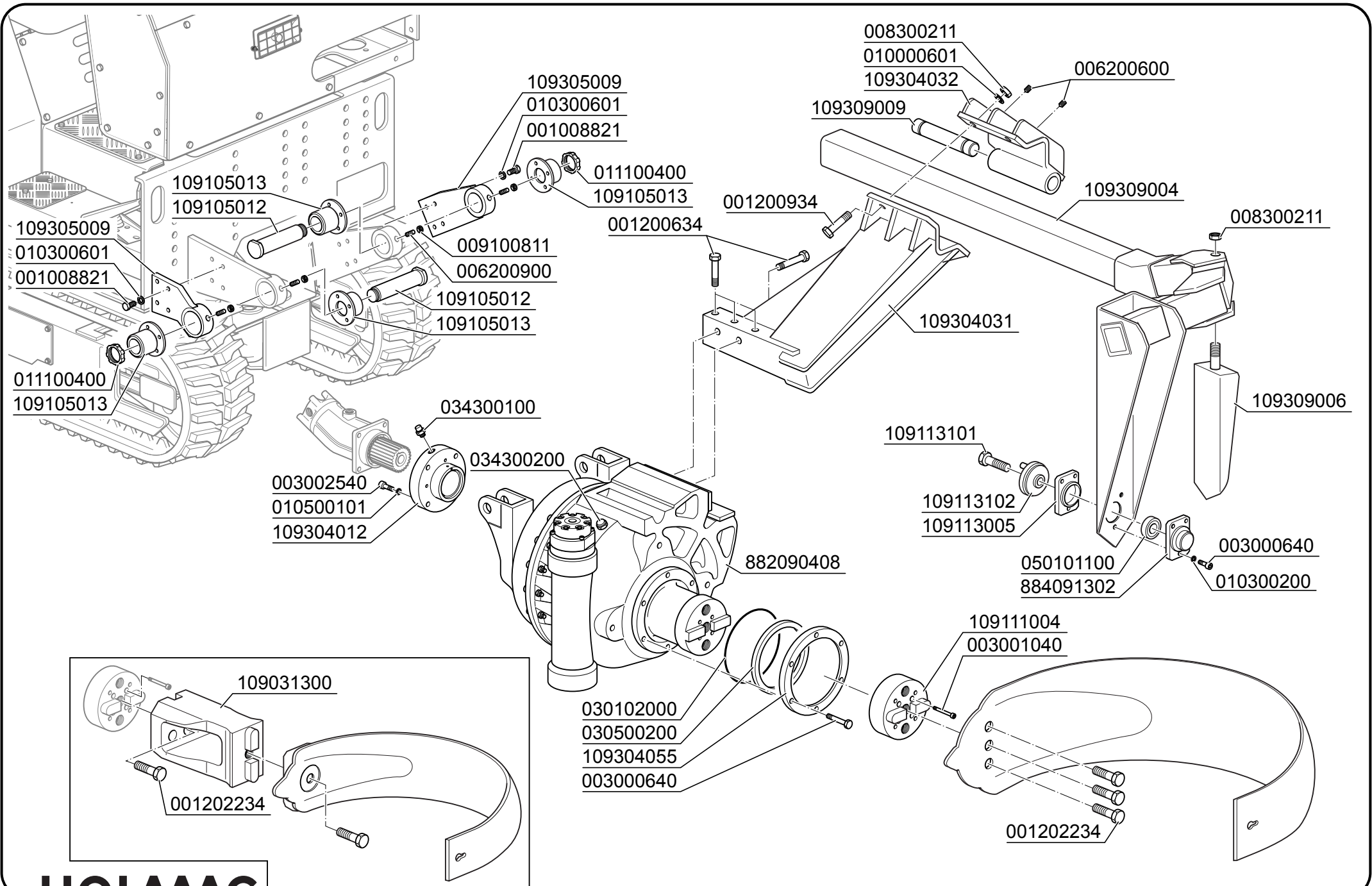
"B": 882090102A

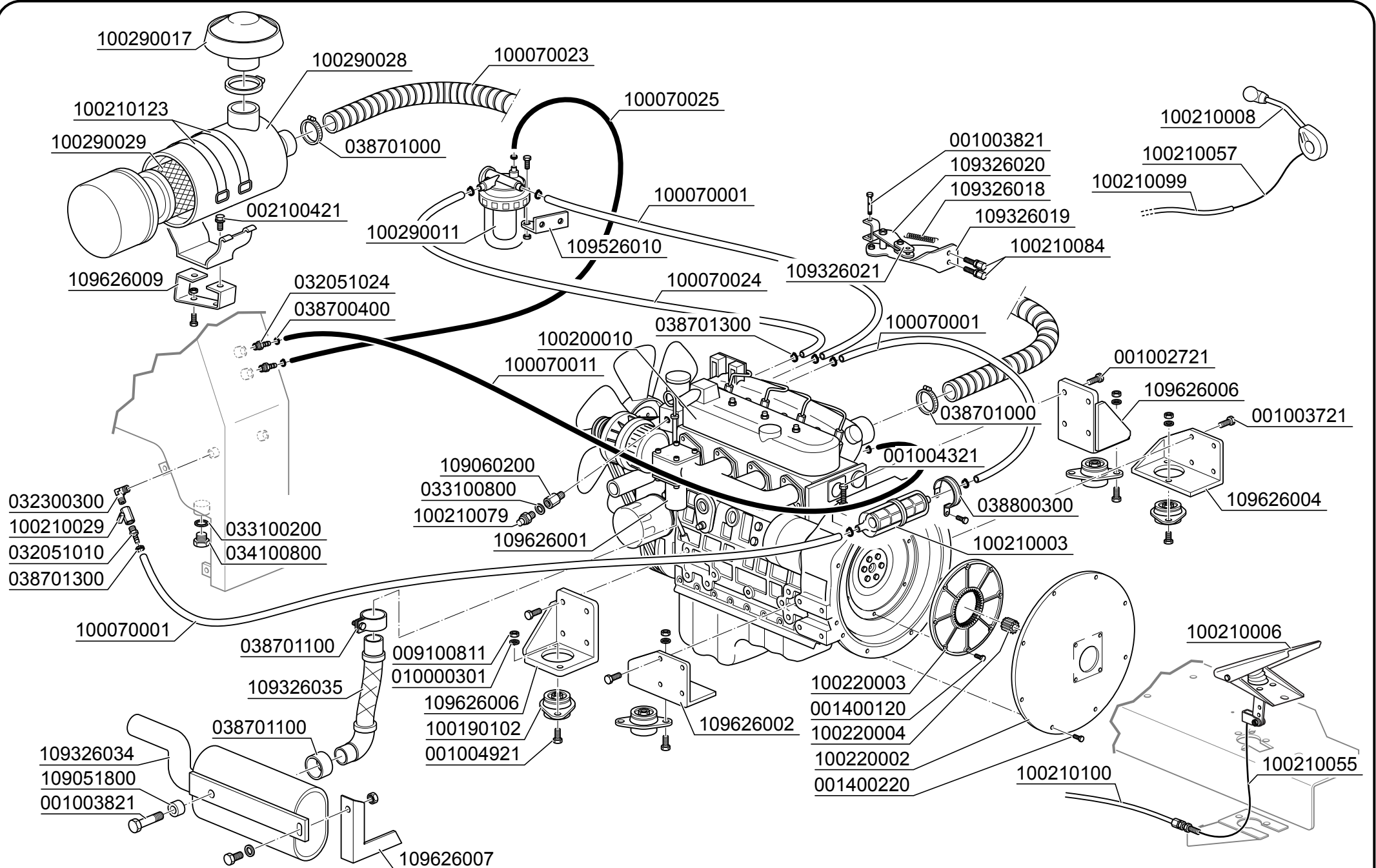


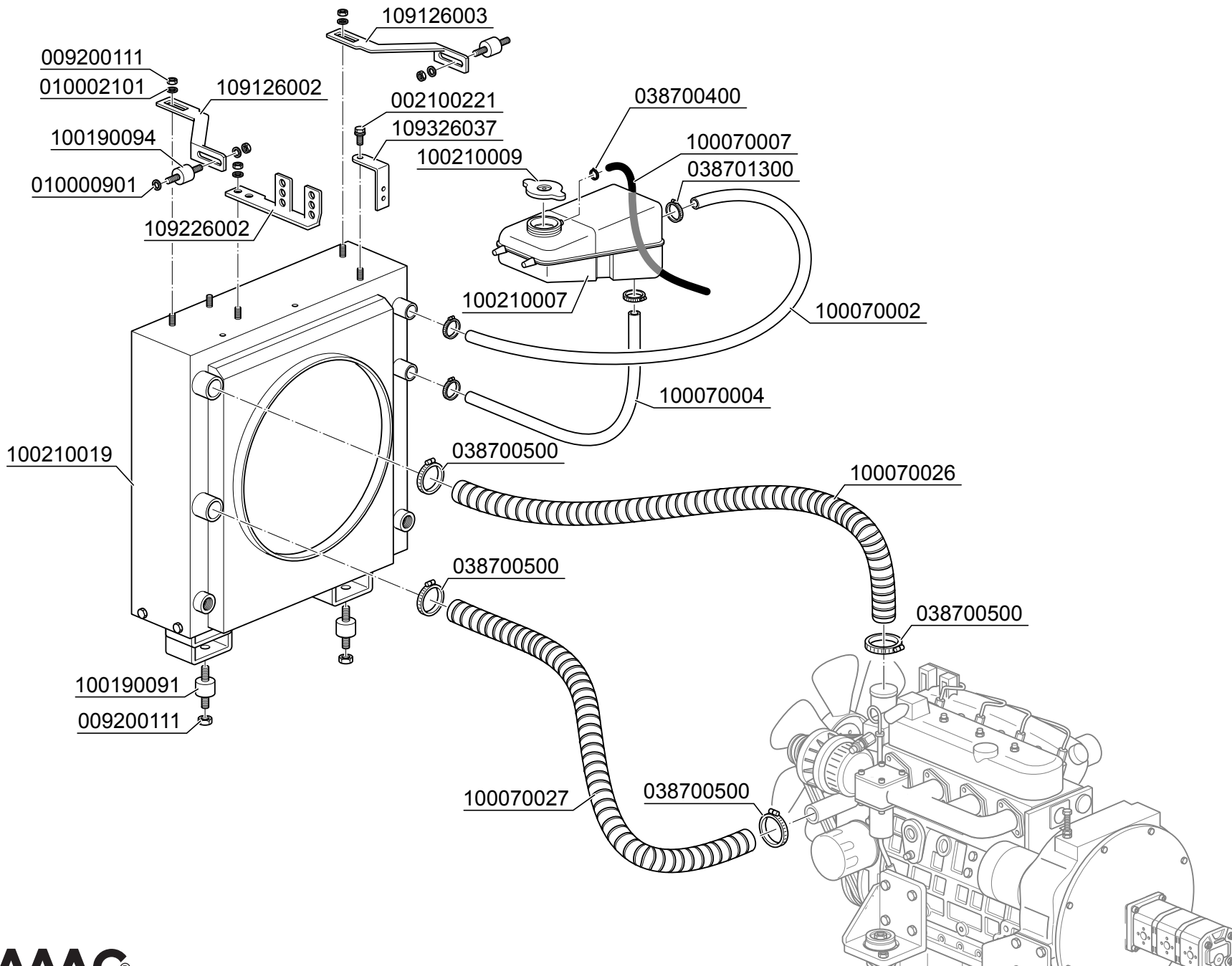
"D": 882090204



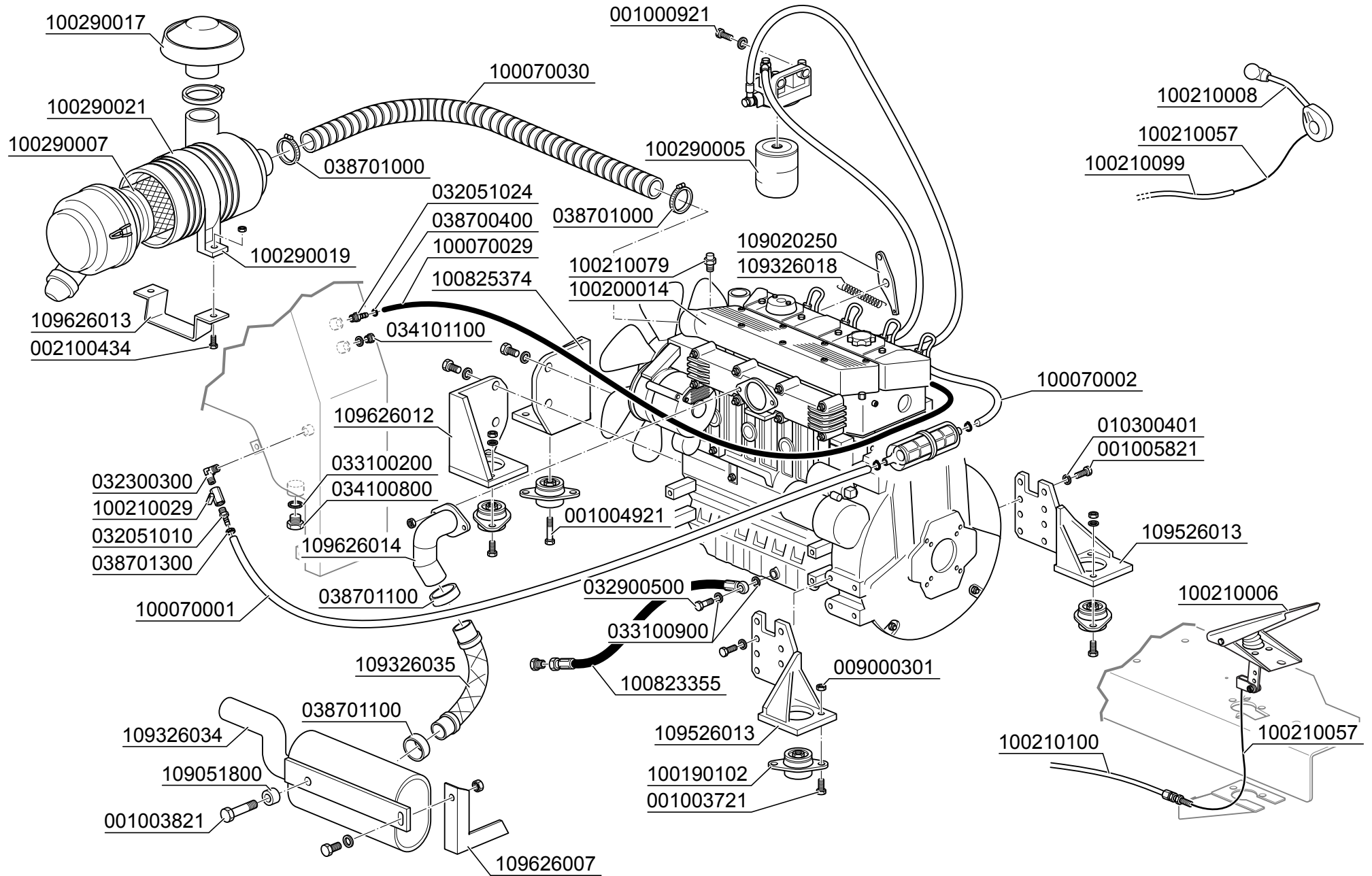
BLADE-VIBRATOR UNIT

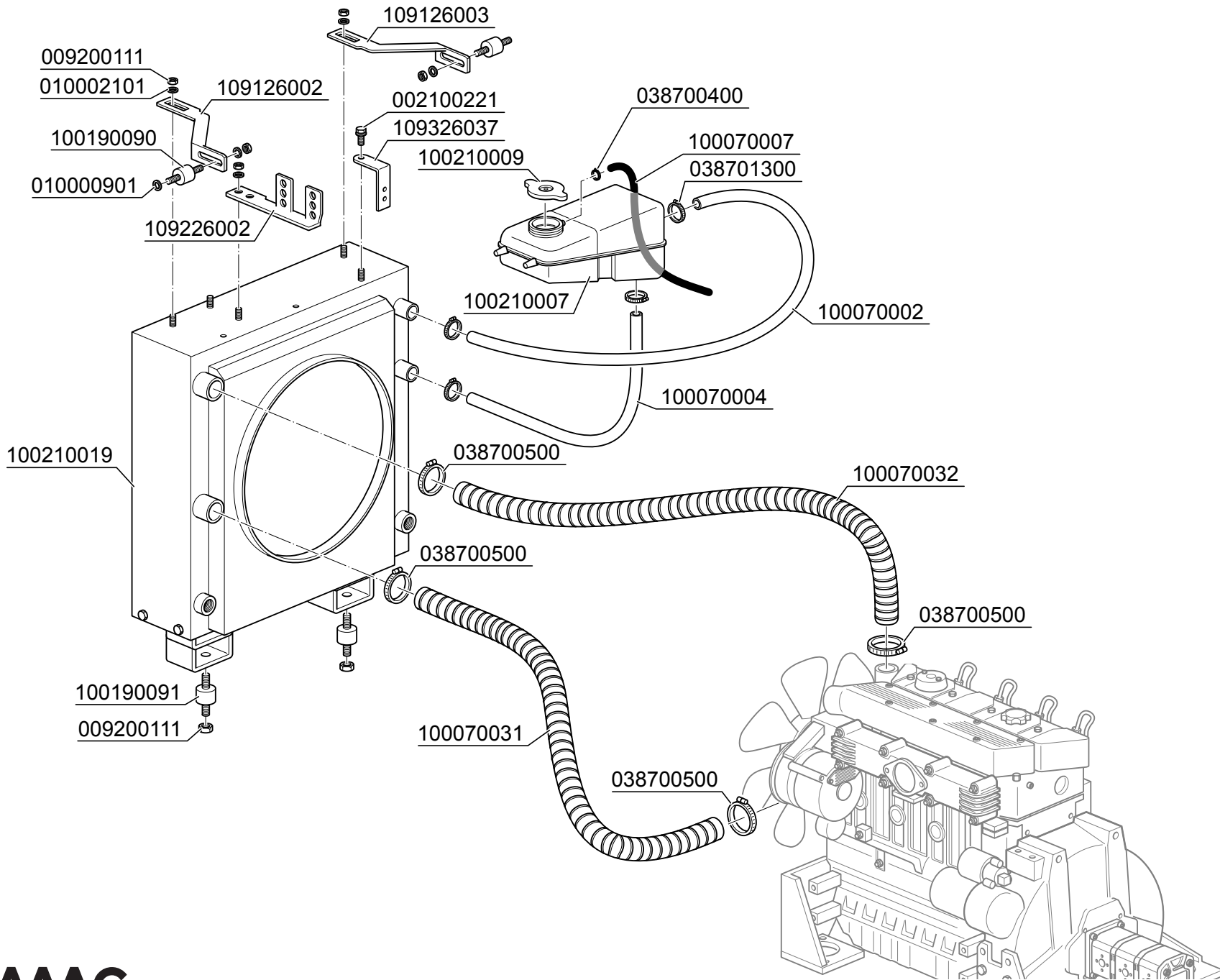




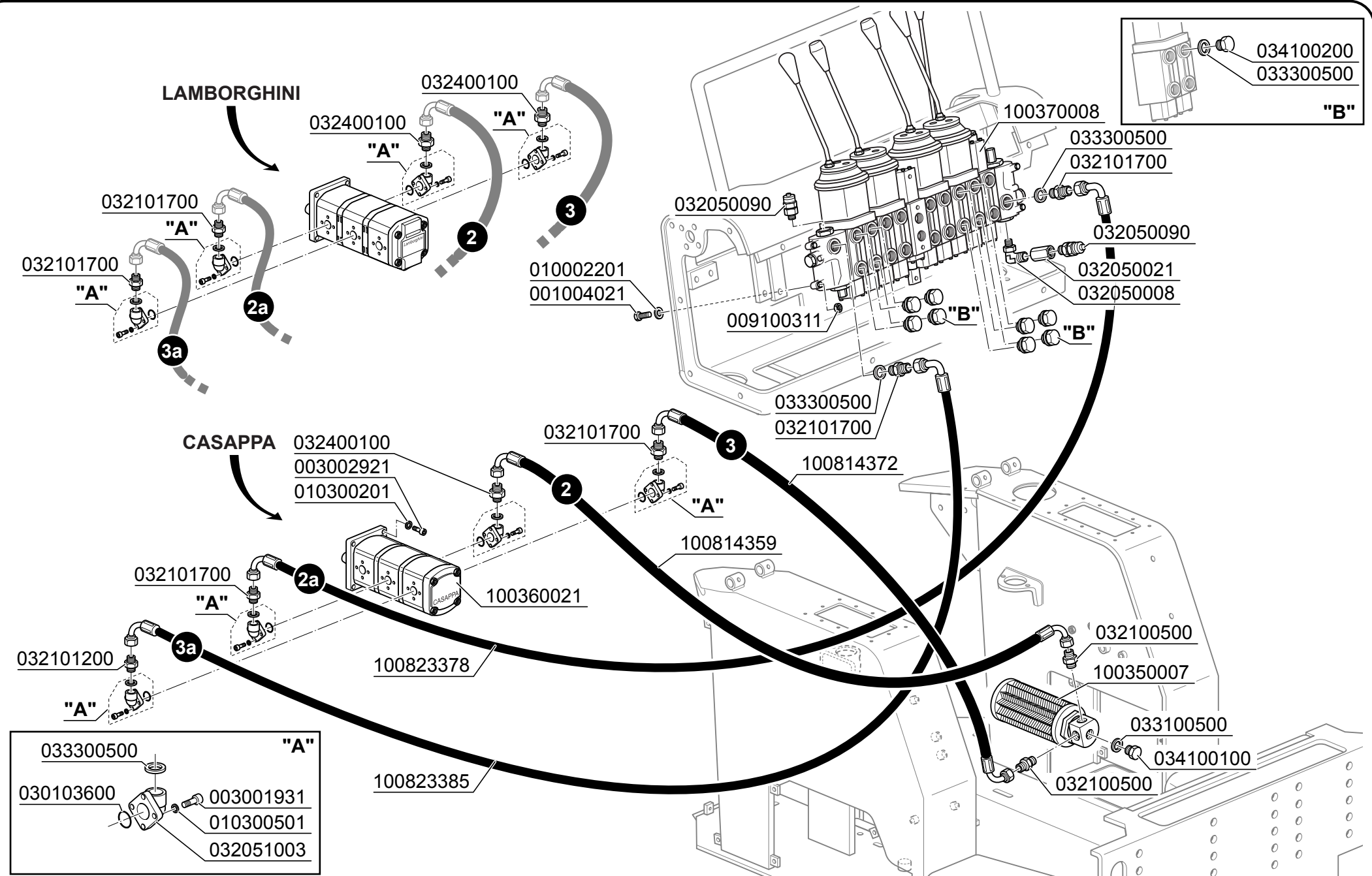


MOTOR (LOMBARDINI): ACCESSORIES

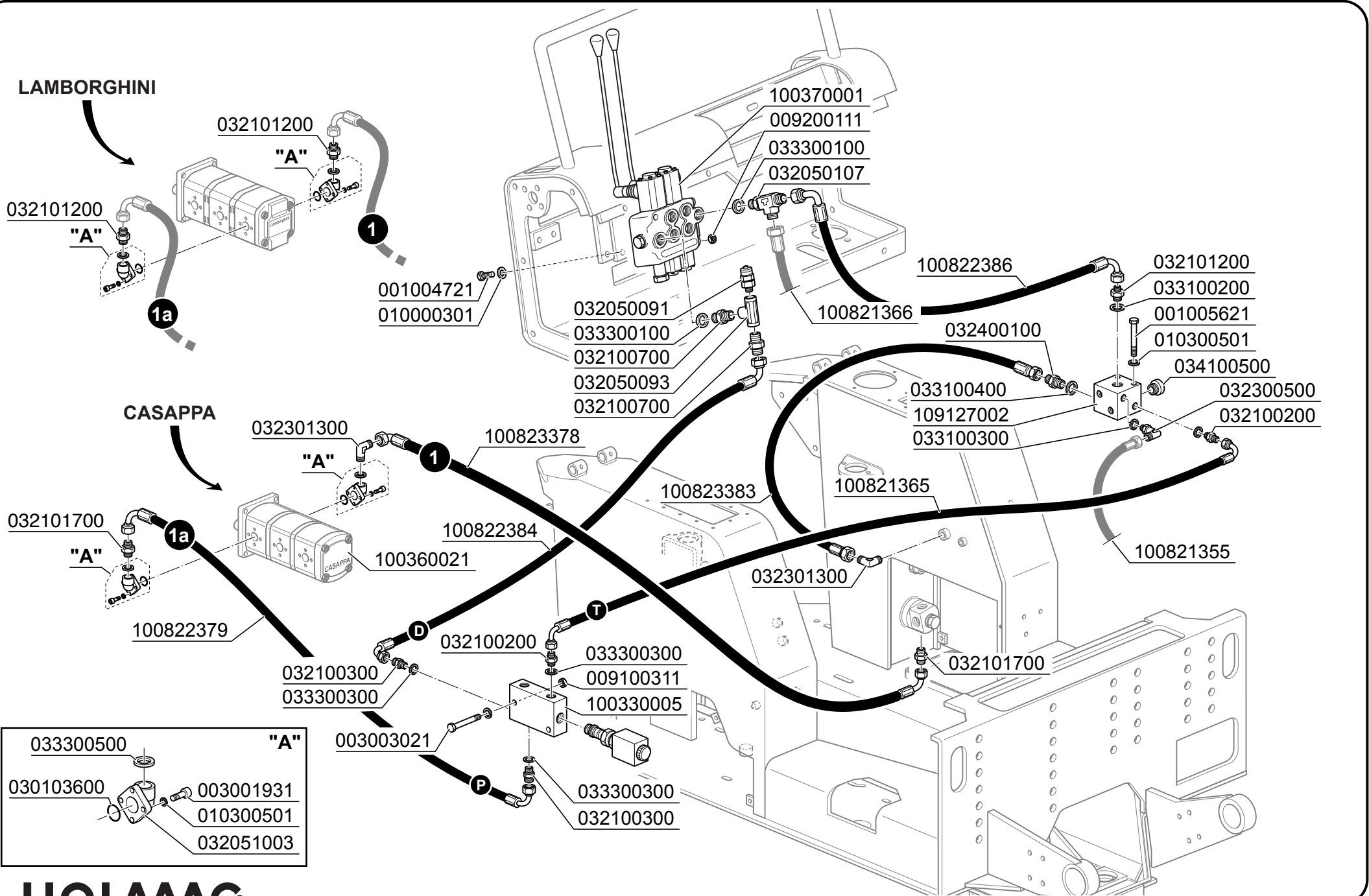





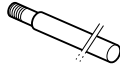

PUMP INTAKE AND DELIVERY

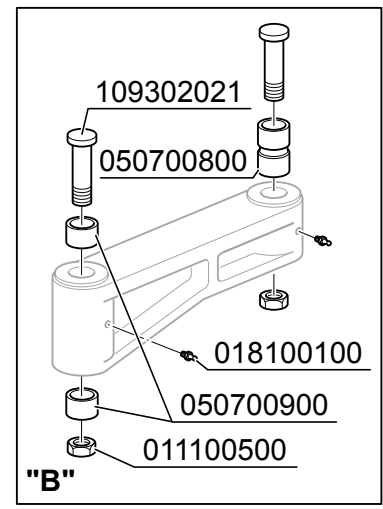
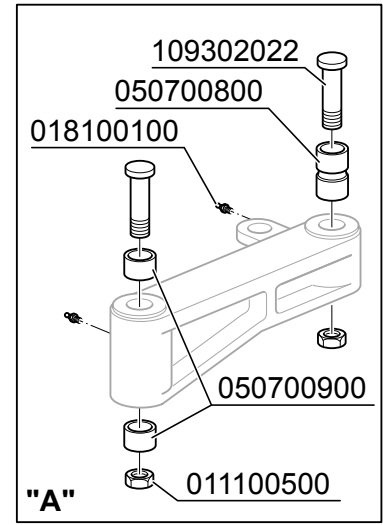
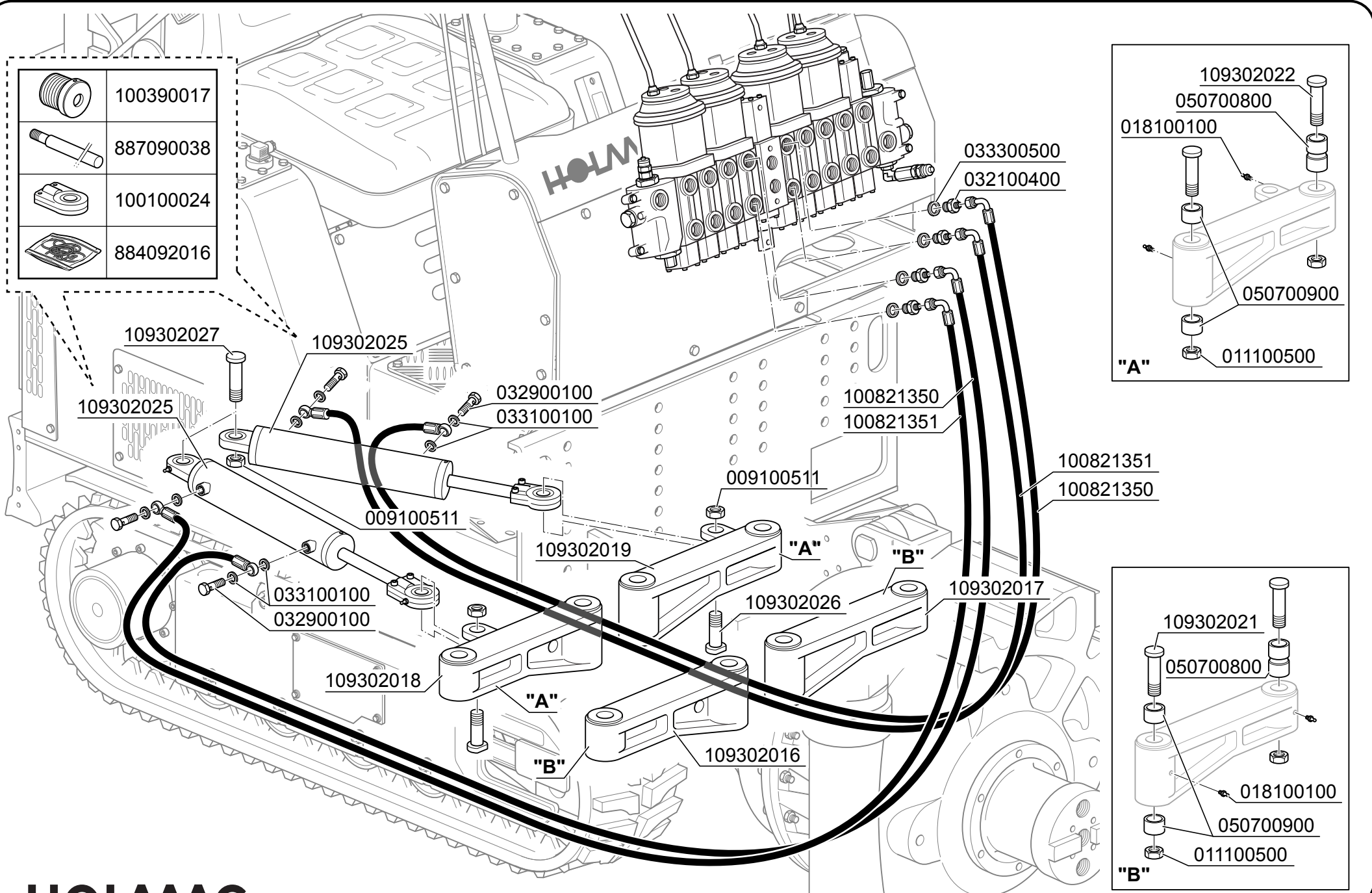


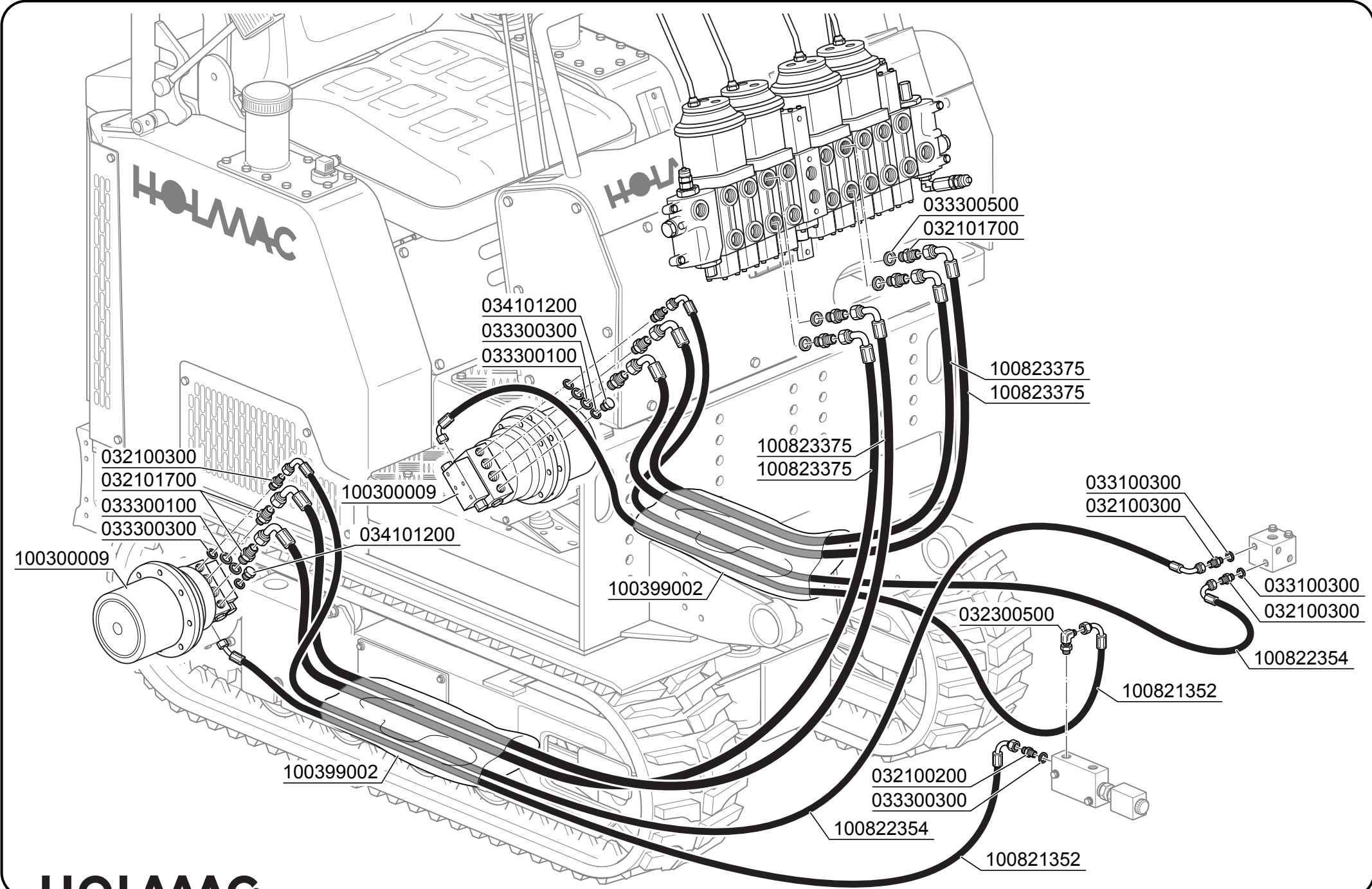
PUMP INTAKE AND DELIVERY



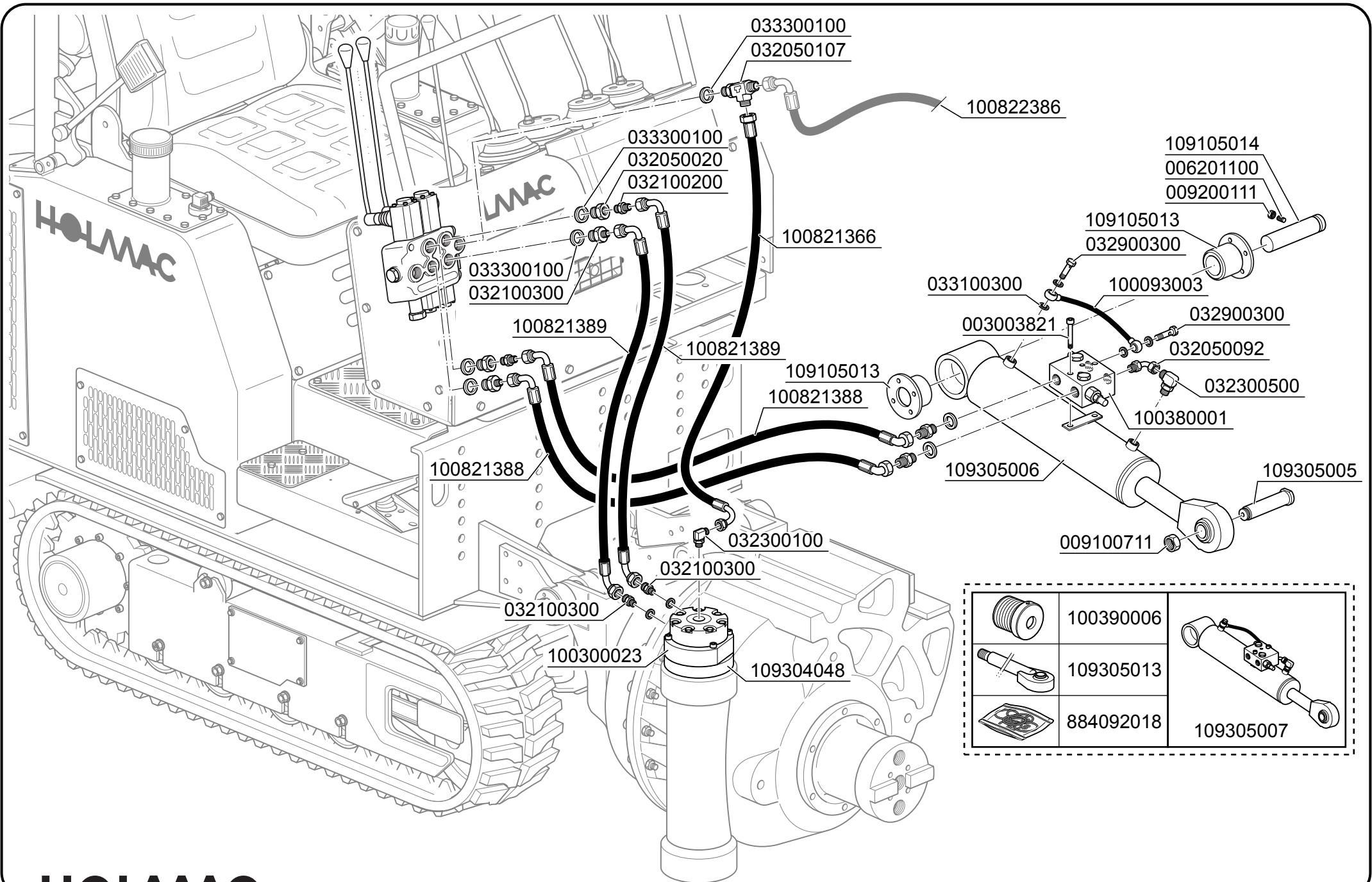
TRACK OPENING CYLINDERS


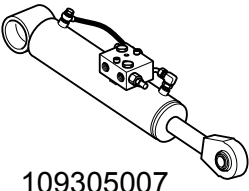
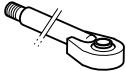

	100390017
	887090038
	100100024
	884092016



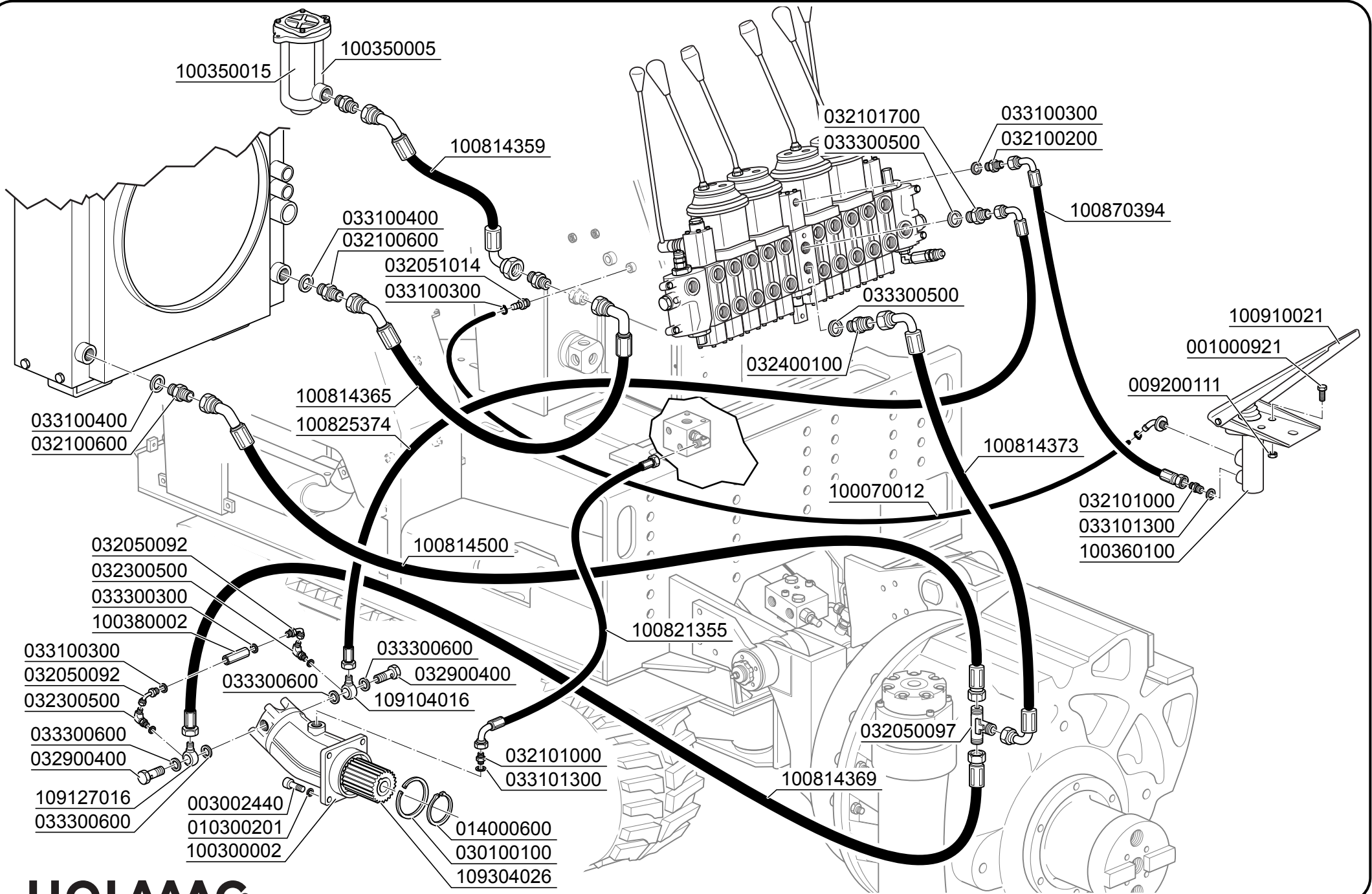


BLADE ROTATION MOTOR AND UNIT CYLINDER



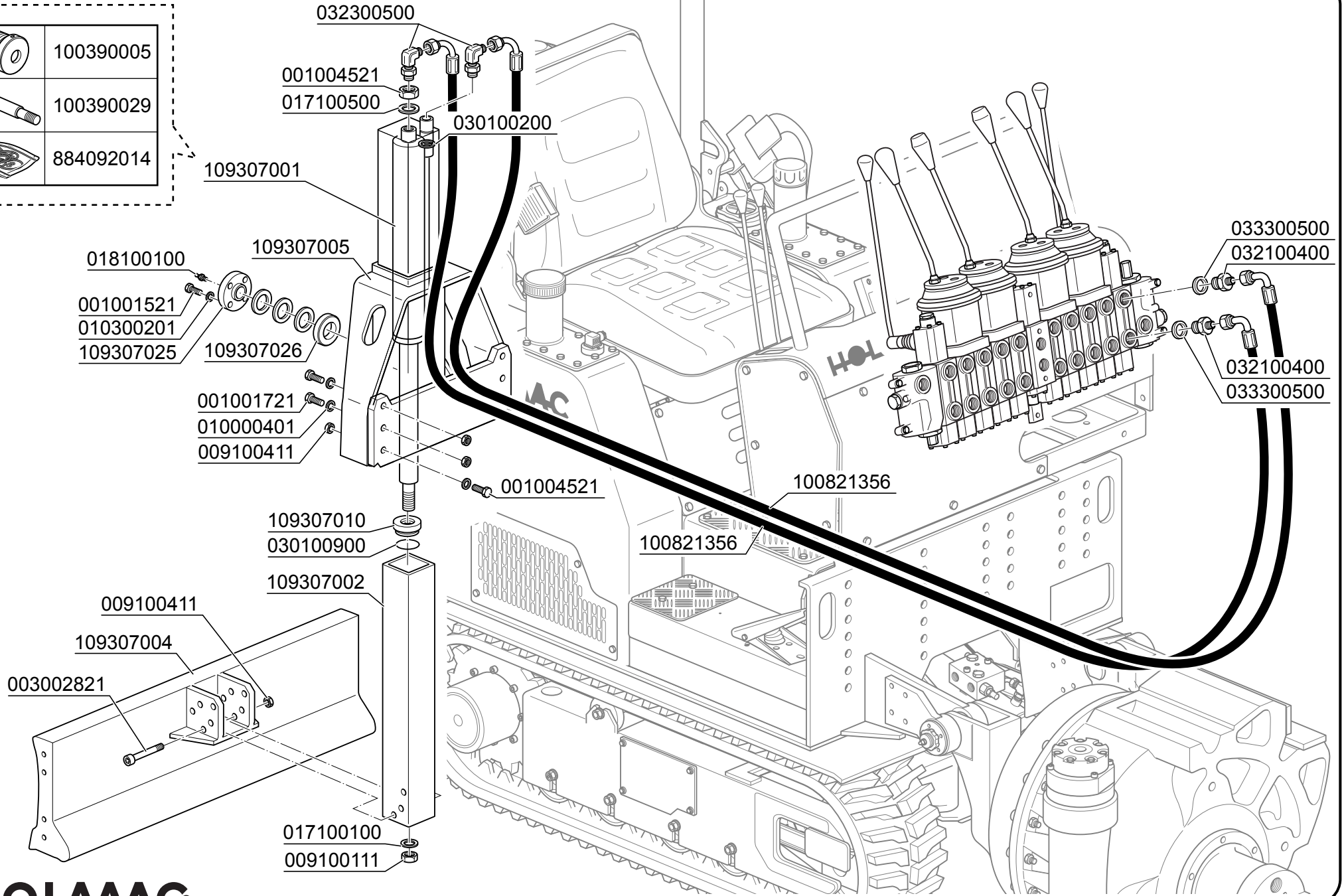
	100390006	
	109305013	
	884092018	
		109305007

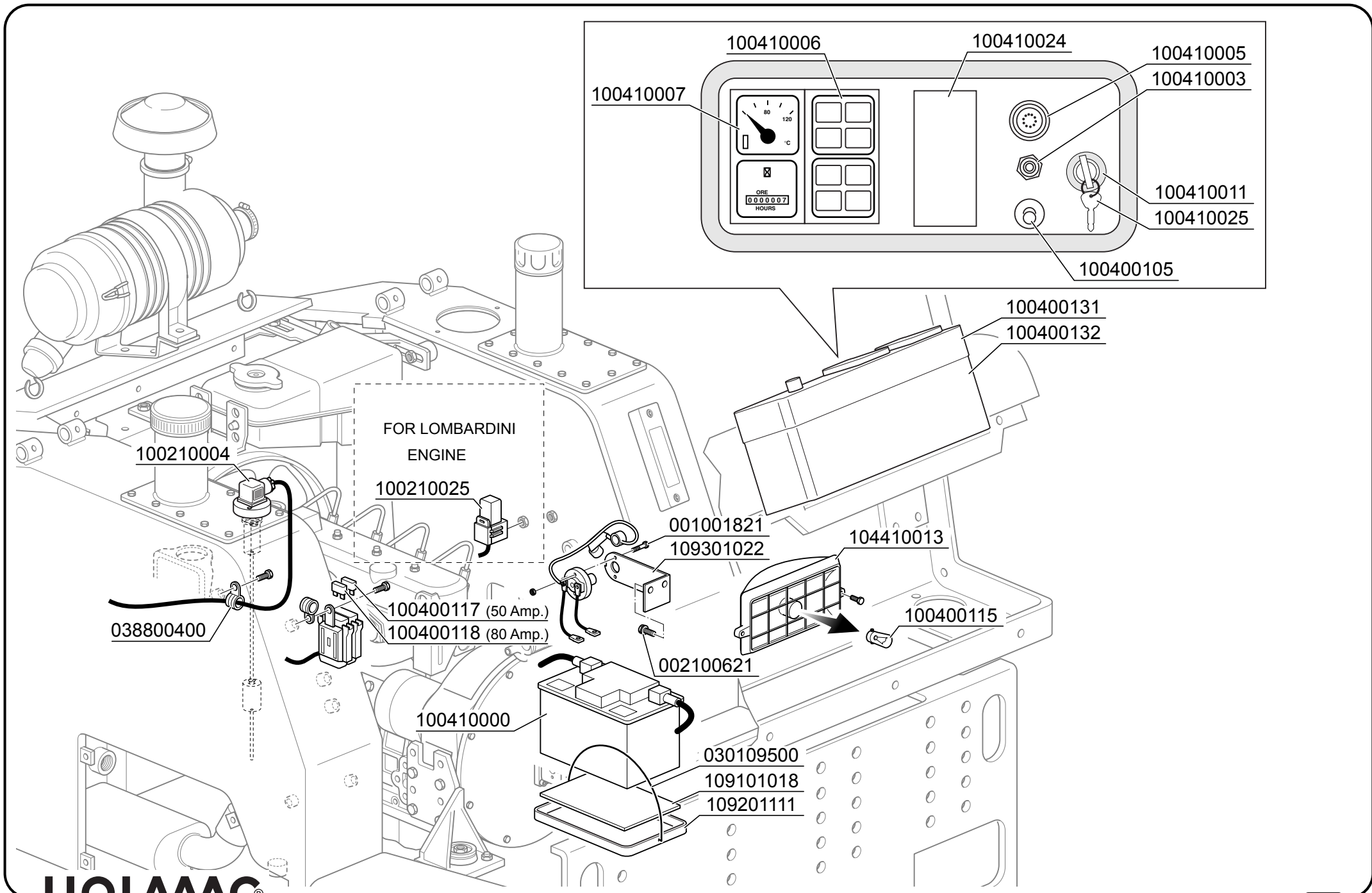




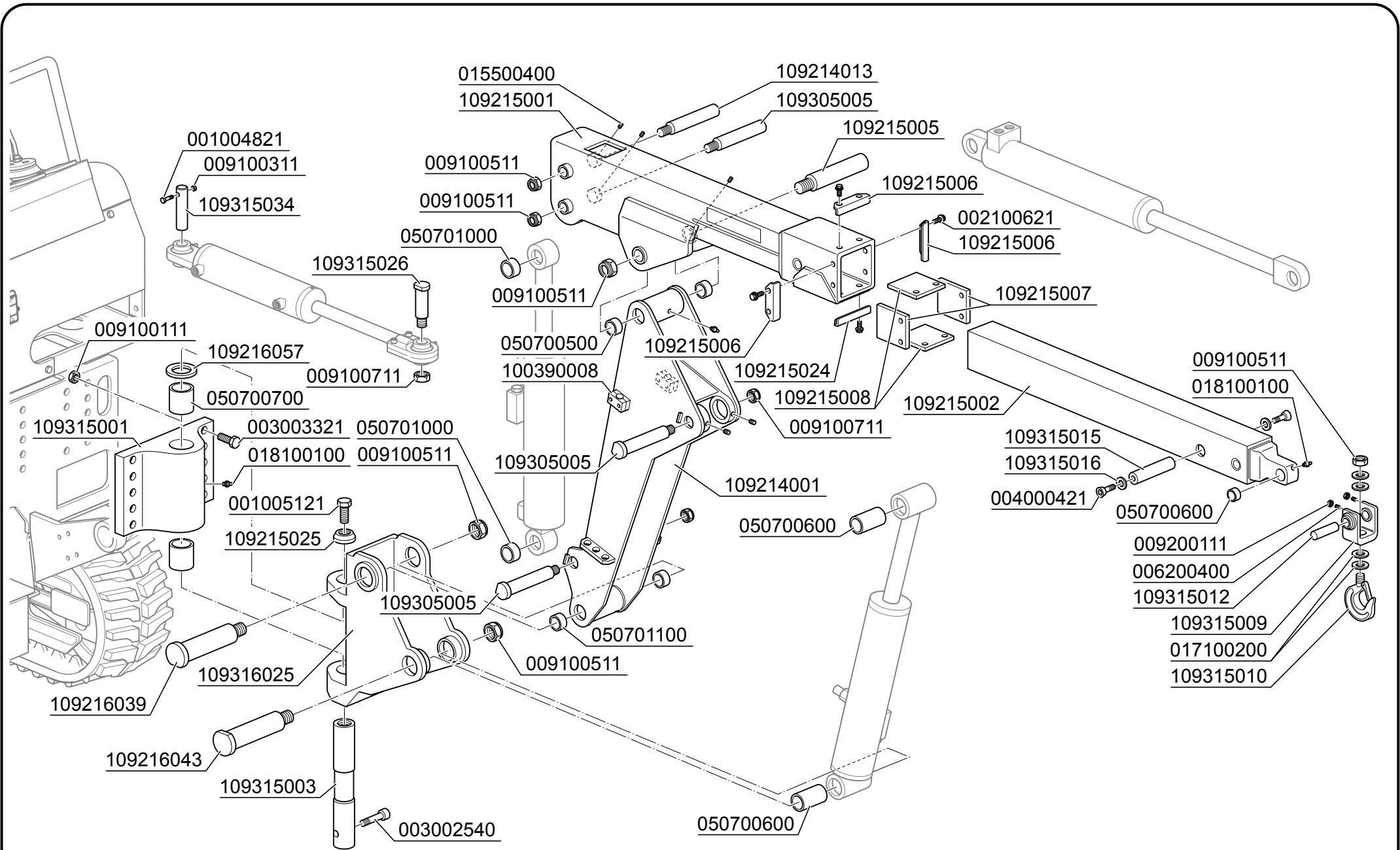
REAR DOSAR BLADE

	100390005
	100390029
	884092014

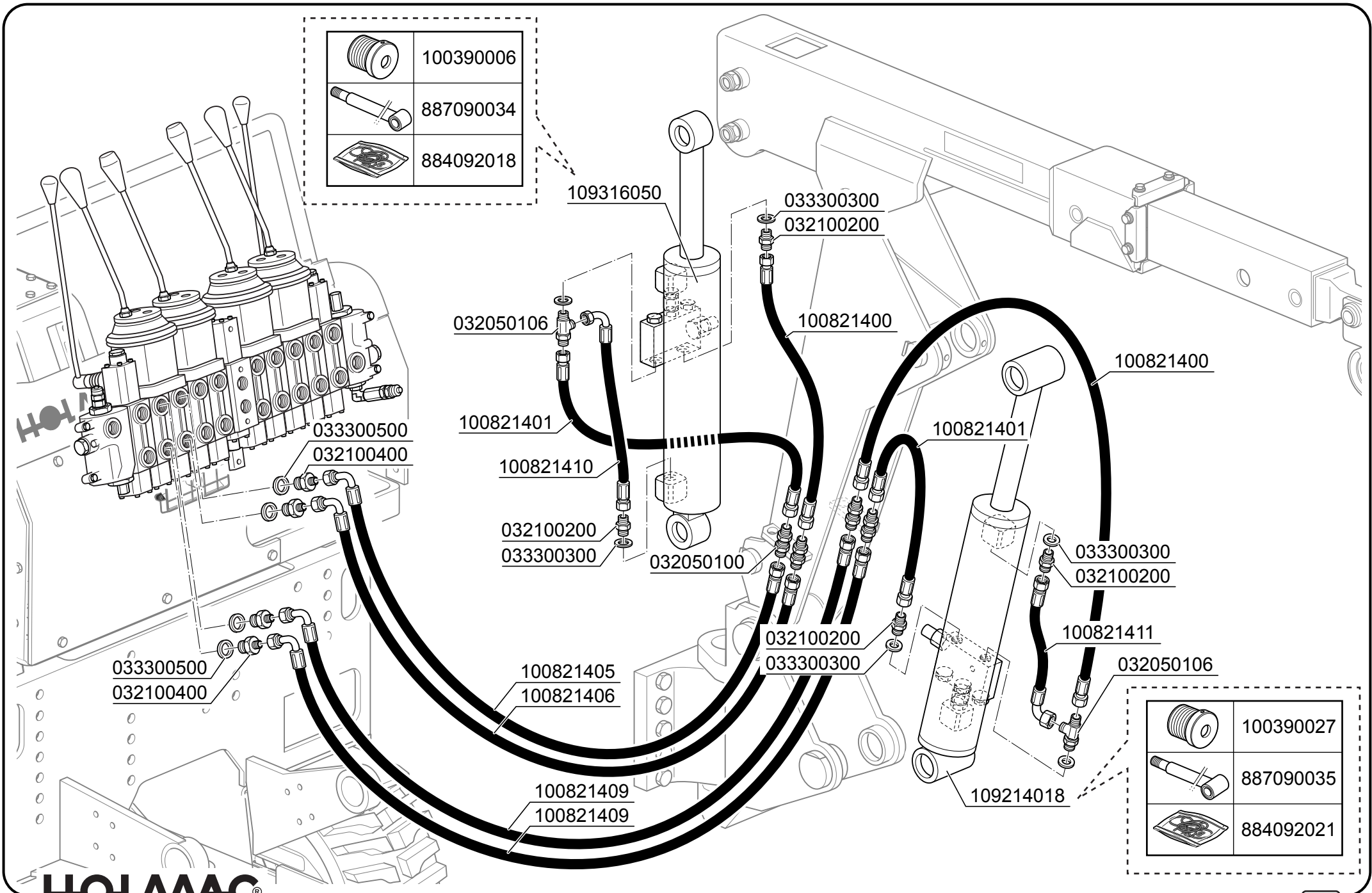




BOOM STRUCTURE



FIRST AND SECOND BOOM JACKS




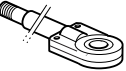

	100390006
	887090034
	884092018


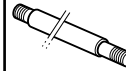


	100390027
	887090035
	884092021

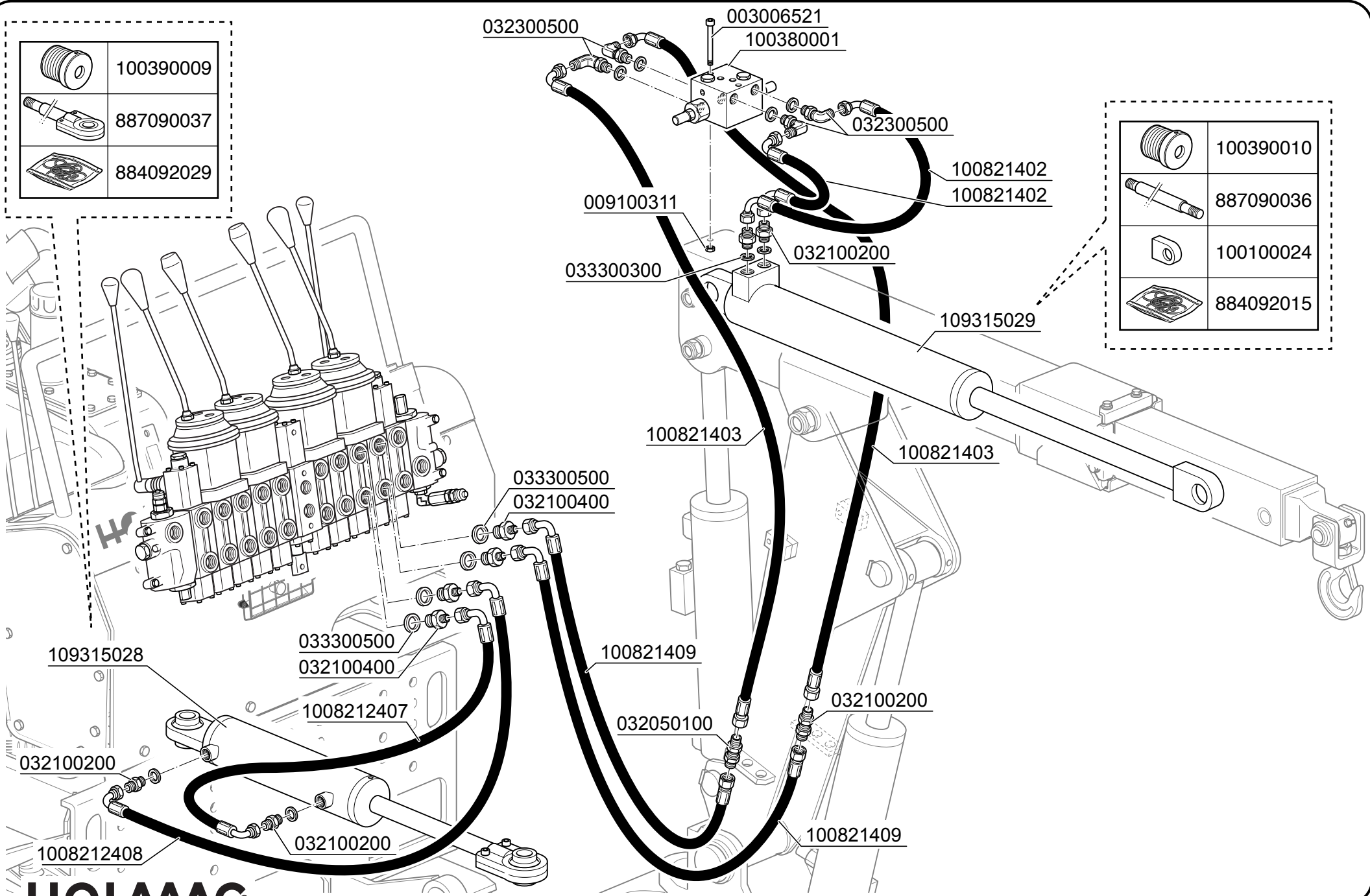
HOLMAC



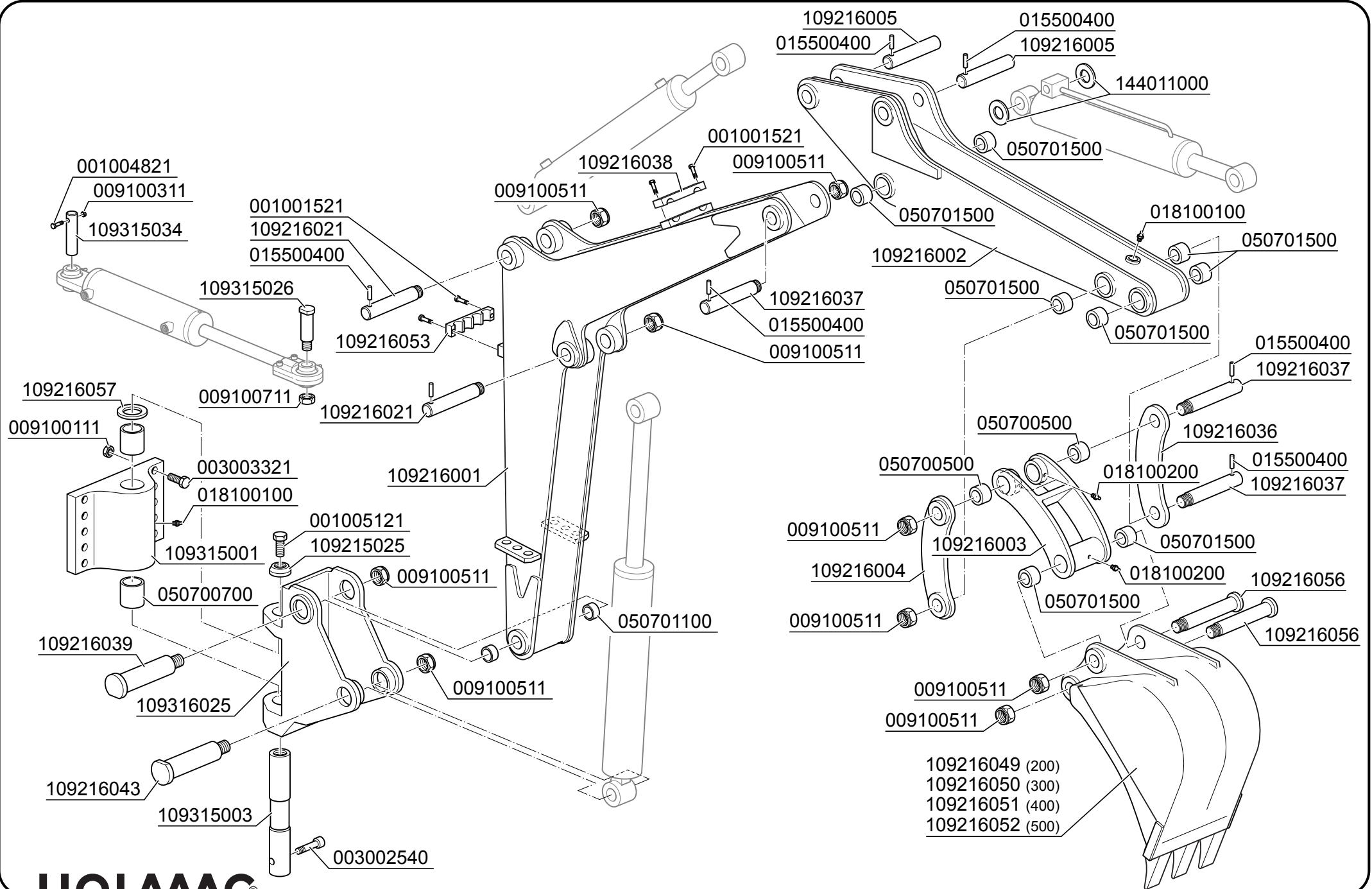
BOOM ROTATION AND EXTENSION

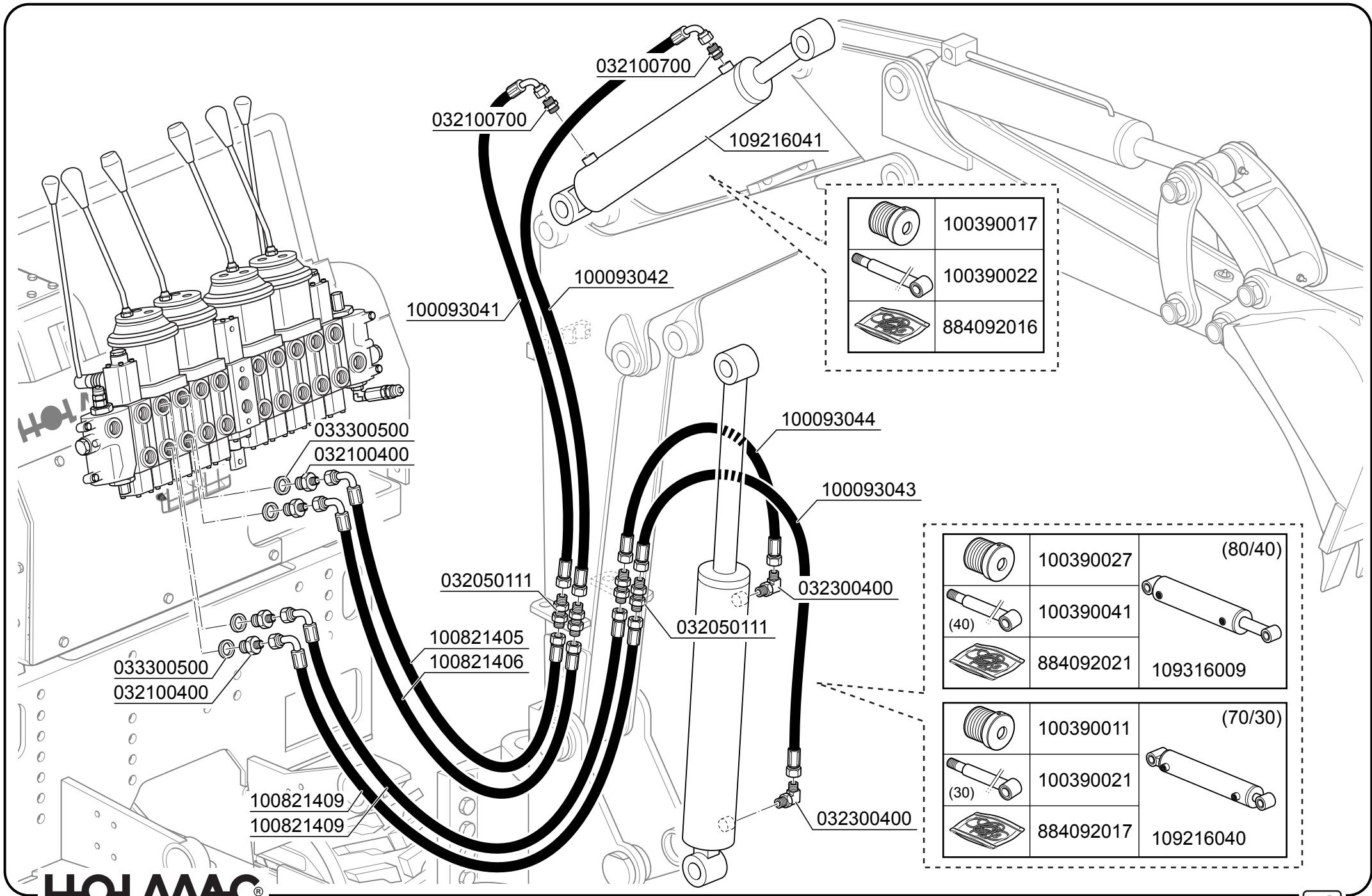
	100390009
	887090037
	884092029

	100390010
	887090036
	100100024
	884092015



DIGGING ARM STRUCTURE





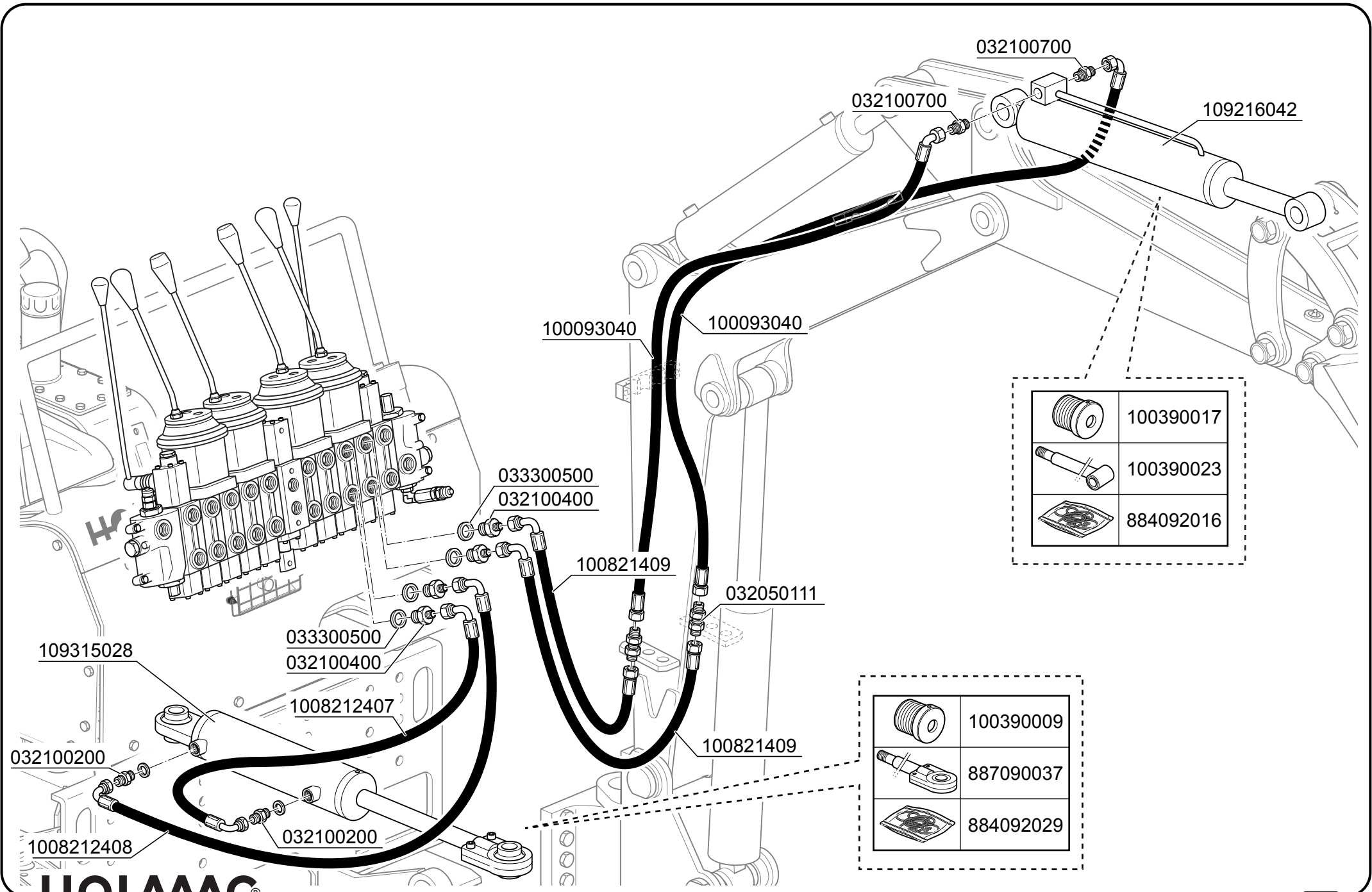
	100390017
	100390022
	884092016

	100390027	(80/40)
	100390041	
	884092021	109316009

	100390011	(70/30)
	100390021	
	884092017	109216040

HOLMAC





Trädgårdsteknik AB

Helsingborgsvägen Varalöv

262 96 ÄNGELHOLM

Tel: 0431 -22290

Fax: 0431 -22270

Email: info@tradgardsteknik.se

Web: www.tradgardsteknik.se